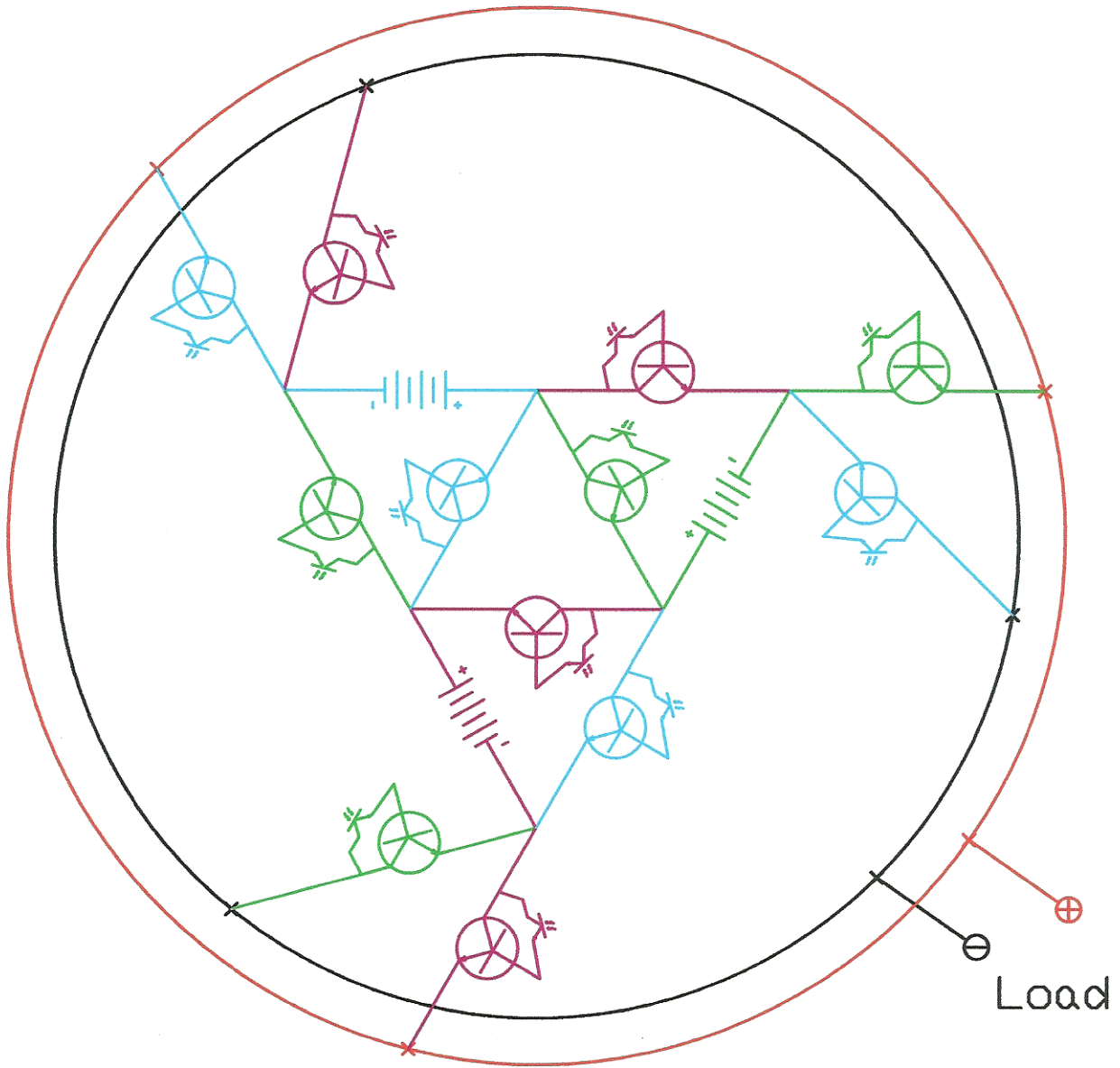
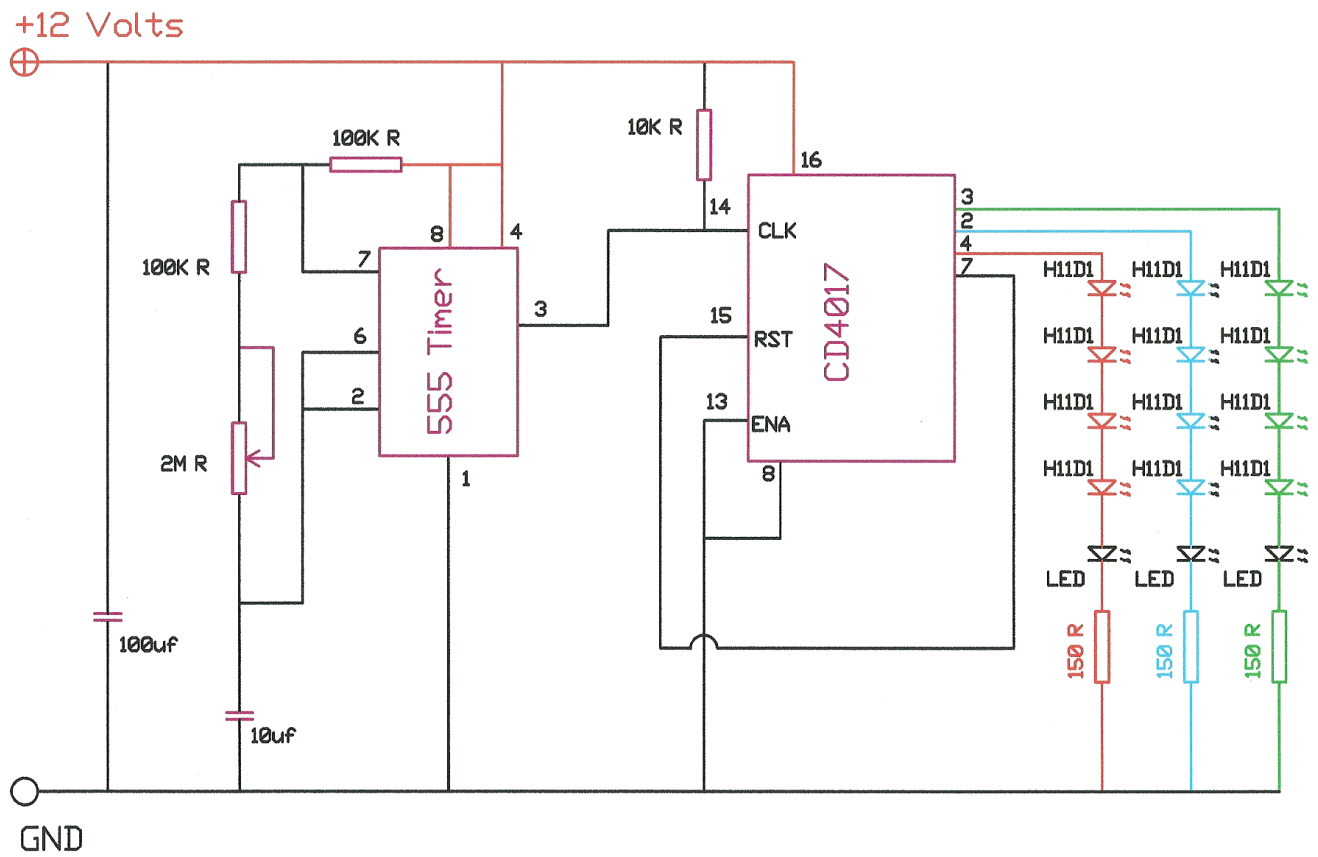


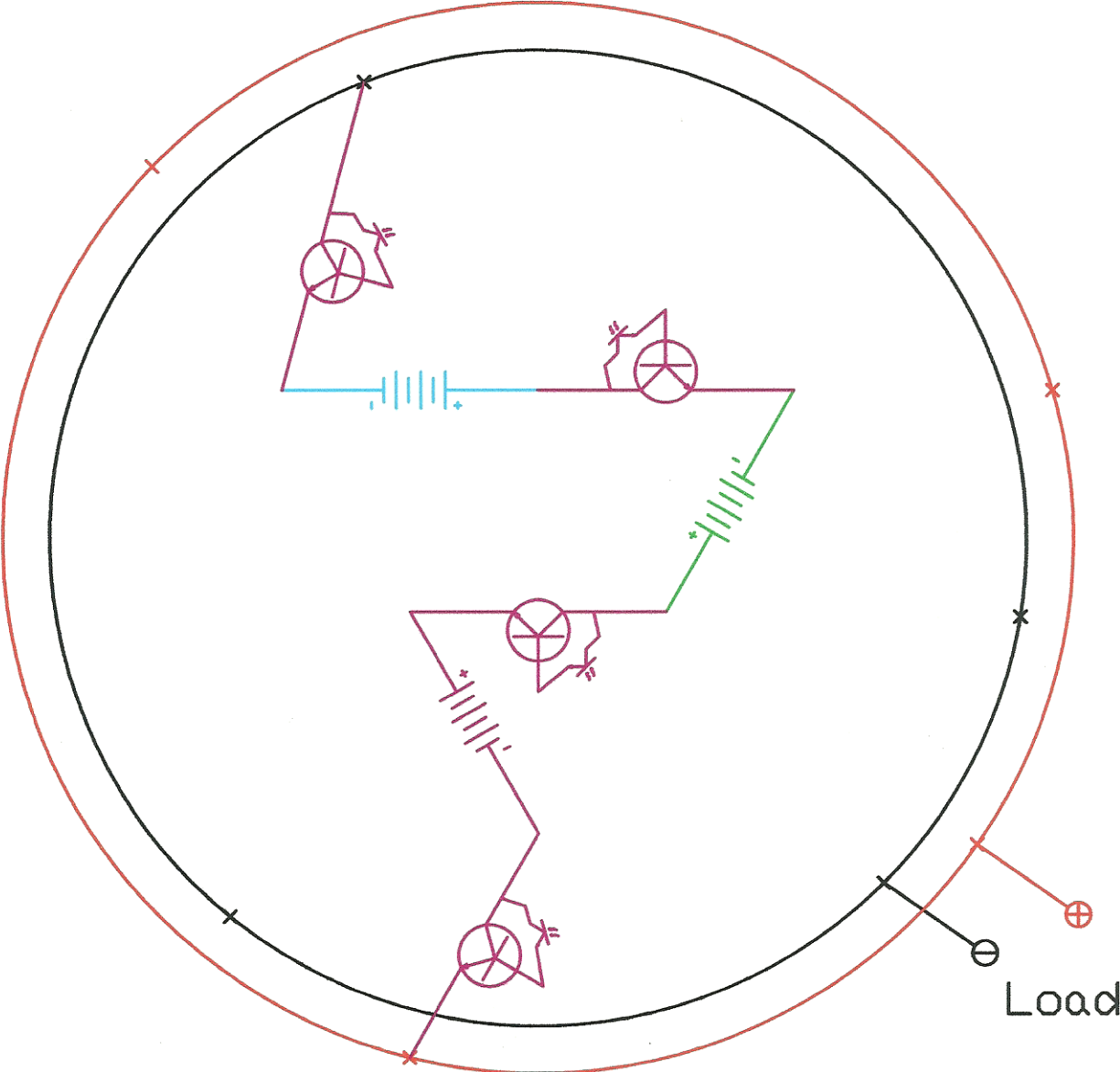
Transistors are MJE3055T Optos are H11D1
.Batteries are 12v 5AH Sealed



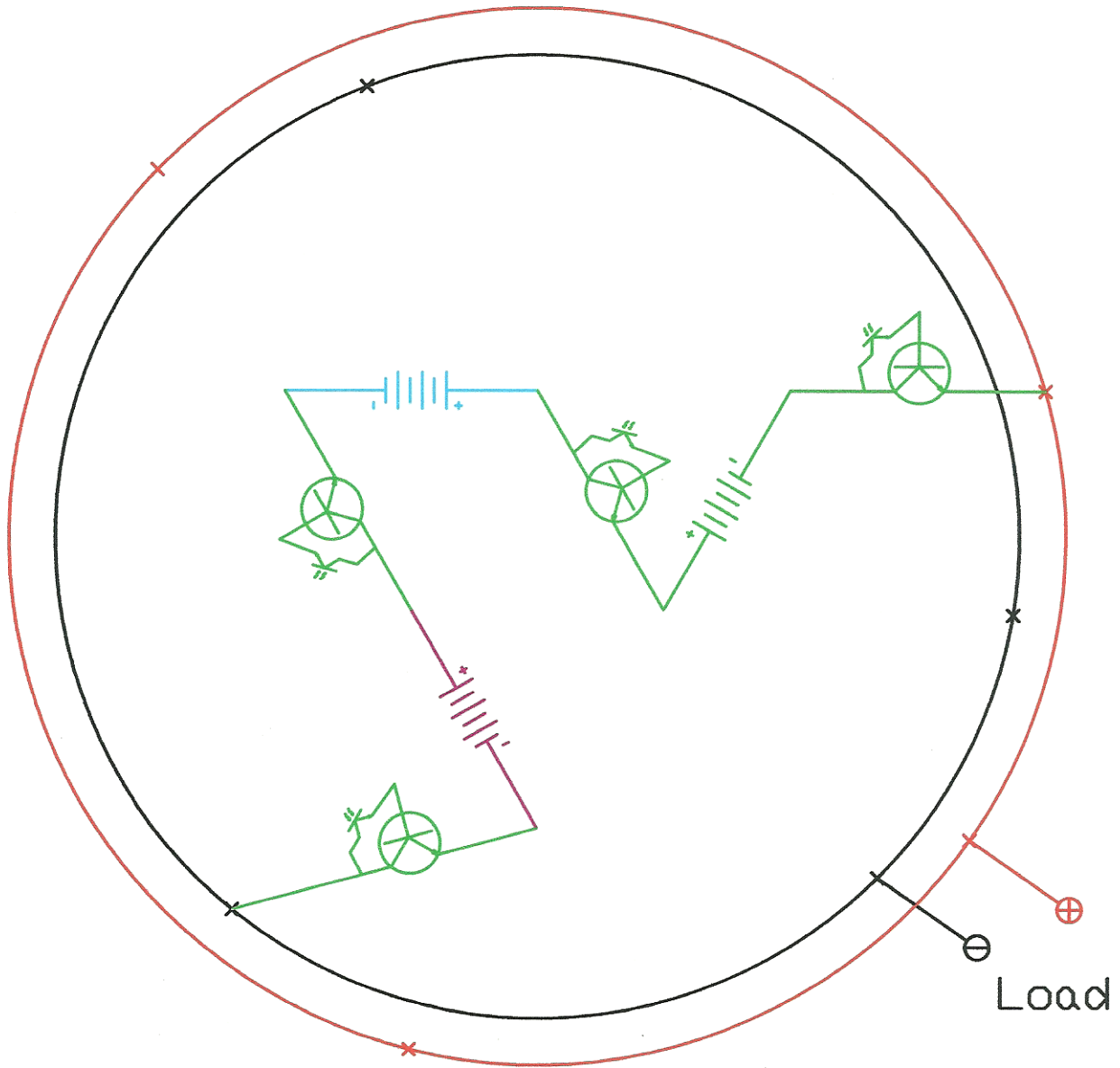
DRIVER CIRCUIT



Transistors are MJE3055T Optos are H11D1
Batteries are 12v 5AH Sealed



Transistors are MJE3055T Optos are H11D1
Batteries are 12v 5AH Sealed



Transistors are MJE3055T Optos are H11D1
Batteries are 12v 5AH Sealed

